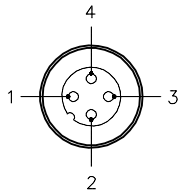
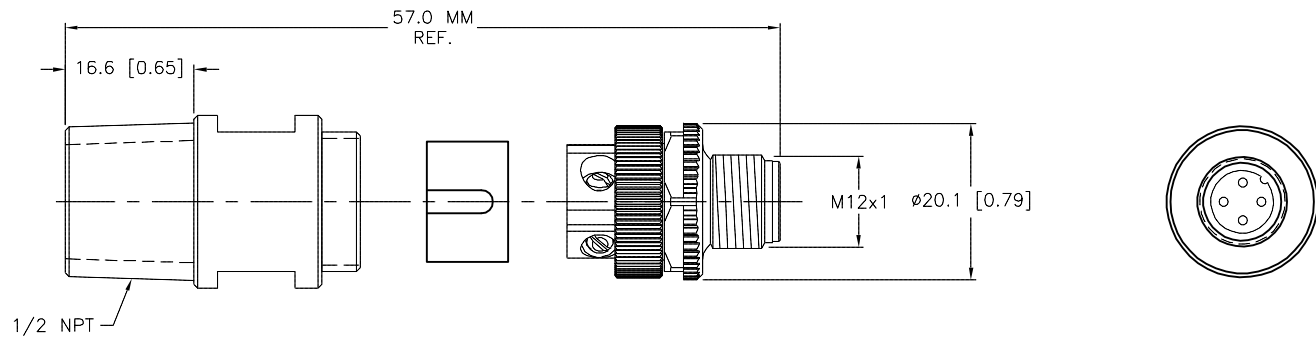


MALE END VIEW



SPECIFICATIONS

CONTACT MATERIAL/PLATING	BRASS/GOLD
BACKSHELL & COUPLING NUT MATERIAL/PLATING	BRASS/NICKEL
RATED CURRENT [A]	4.0 A
RATED VOLTAGE [V]	125 V
MAXIMUM WIRE SIZE	18 AWG
TEMPERATURE RATING	-40°C to +85°C (-40°F to +185°F)
PROTECTION CLASS	IEC IP67
WIRE TERMINATION	SCREW TERMINAL



SOURCE DRAWING - FOR REFERENCE ONLY

NOTES:

1. ALL METAL FIELD WIREABLE CONNECTOR.

RELATED DOCUMENTS		3RD ANGLE PROJECTION		THIS DRAWING IS CONFIDENTIAL AND THE PROPERTY OF TURCK INC. USE OF THIS DOCUMENT WITHOUT WRITTEN PERMISSION IS PROHIBITED.		3000 CAMPUS DRIVE MINNEAPOLIS, MN 55441 1-800-544-7769 (763) 553-7300 (763) 553-0708 fax www.turck.us	
1. 2. 3. 4.				DRFT NF DATE 08/09/16 APVD SCALE 1=1.0		DESCRIPTION BS 8141-14.5/NPT	
MATERIAL SEE SPECIFICATIONS		ALL DIMENSIONS DISPLAYED ON THIS DRAWING ARE FOR REFERENCE ONLY		UNIT OF MEASUREMENT MILLIMETER [INCH]		IDENTIFICATION NO. U2-27179	
FINISH SEE SPECIFICATIONS		CONTACT TURCK FOR MORE INFORMATION		DO NOT SCALE THIS DRAWING		REV B	
B	ADD DIMENSIONS	NF	02/17/17	58712	FILE: U2-27179		
REV	DESCRIPTION	BY	DATE	ECO NO.	SHEET 1 OF 1		